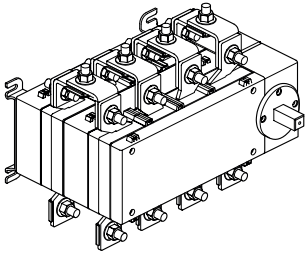


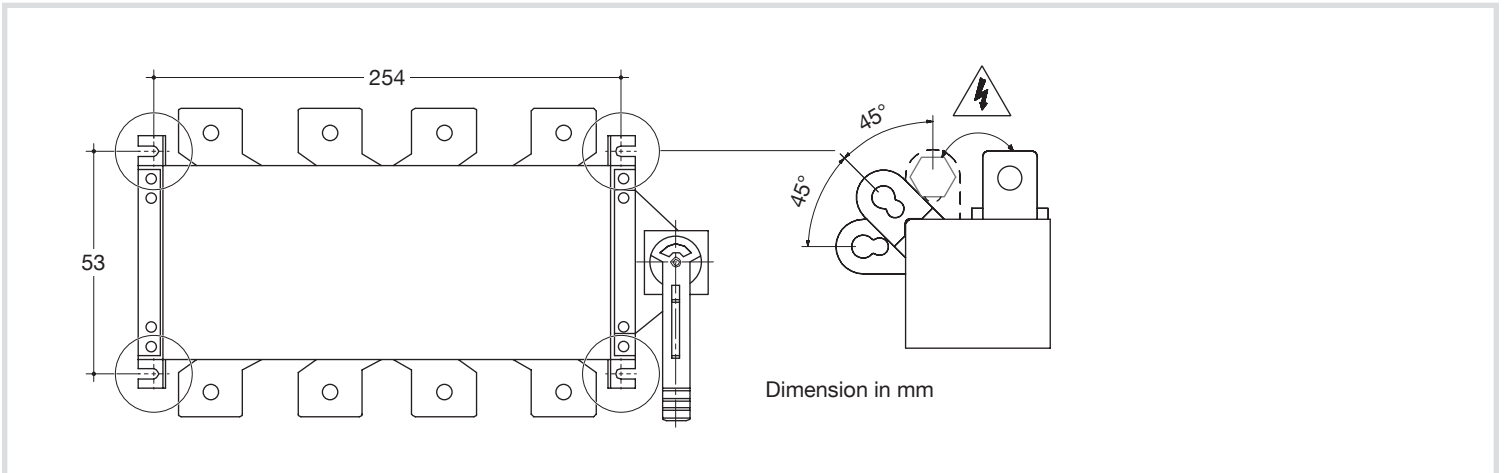
(EN) Change over switch 4P
63A 100A

6LE000941B



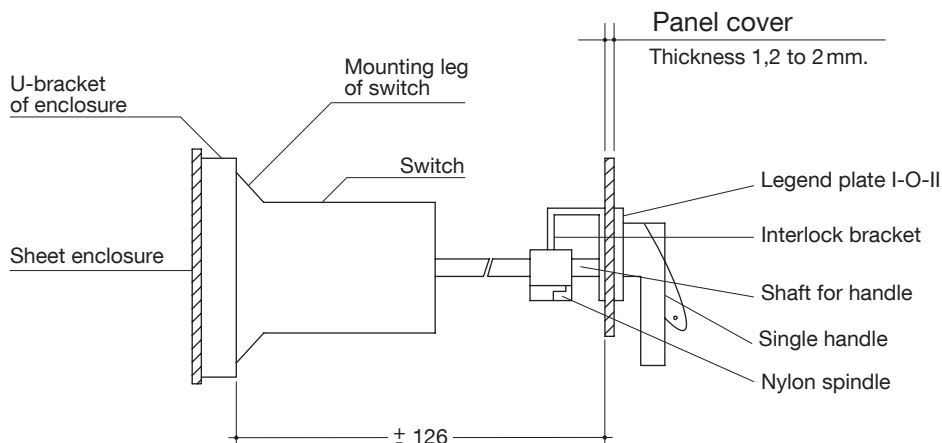
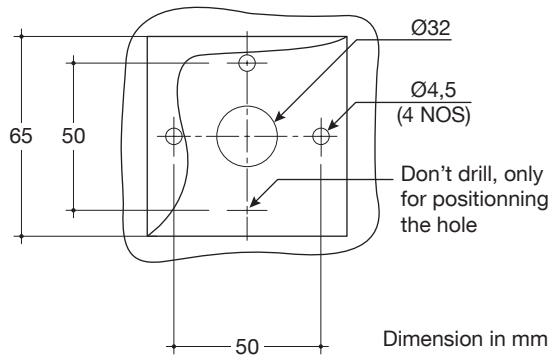
HI403I, HI405I

Installation and adjustment of open execution



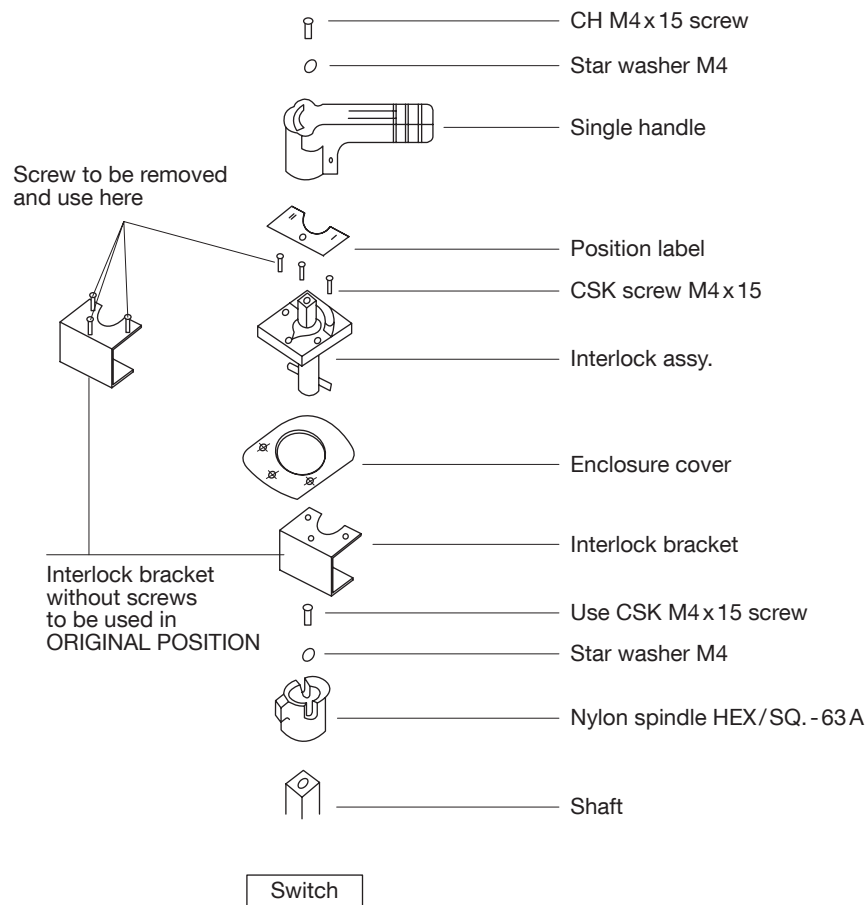
Installation and adjustment of enclosed execution

Door drilling for interlock assy. mounting

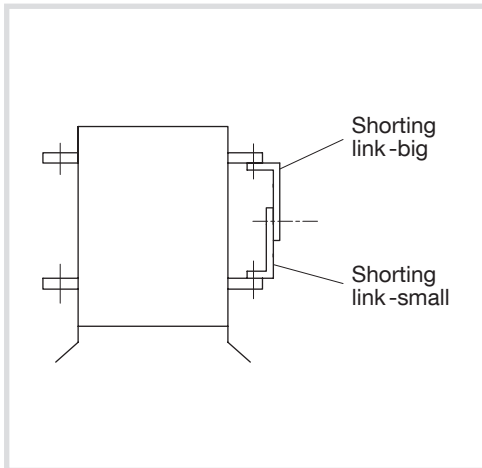


Fixing of door interlock mechanism

Change over switch



Instruction for connection



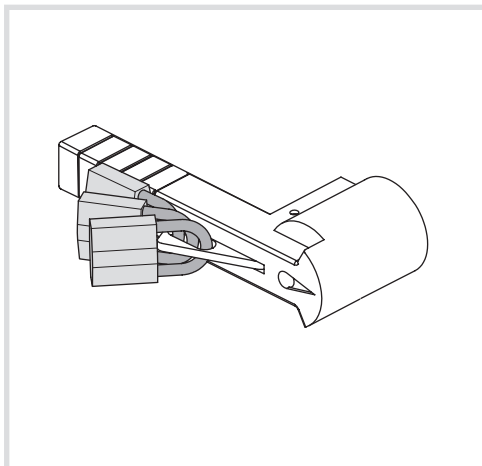
1. Shorting links are pre-mounted at works **arrangement should not be altered.**
2. If arrangement altered, then re-mount as shown in the diagram.

Ensure

- a. Shorting links are **perfectly lap joined.**
- b. **No visible air gap between joints on contact surfaces. Air gap causes localized sparks and burns contacts.**
- c. Bus bars / cable connections **must have natural radius** at switch termination end.
- d. External connection **should not exert pressure on fixed terminals.**
- e. Common outgoing feeders **are connected to bolt.**
- f. Required torque for tightening connecting nut and bolts, refer table given below

Torque table						
Srew Size	M5	M6	M8	M10	M12	M14
Min. Torque in Nm	2,4	4,5	8,3	20	40	45
Max. Torque in Nm	3	5,4	13	26	45	50

Instruction for padlocking



Connection capacity	HI403I	HI405I	Torque table (N.m)
Min Cu cable (mm ²) / Bus bar size (mm)	16	25	min 4,5
Min Al cable (mm ²) / Bus bar size (mm)	25	25x2	max 5,4